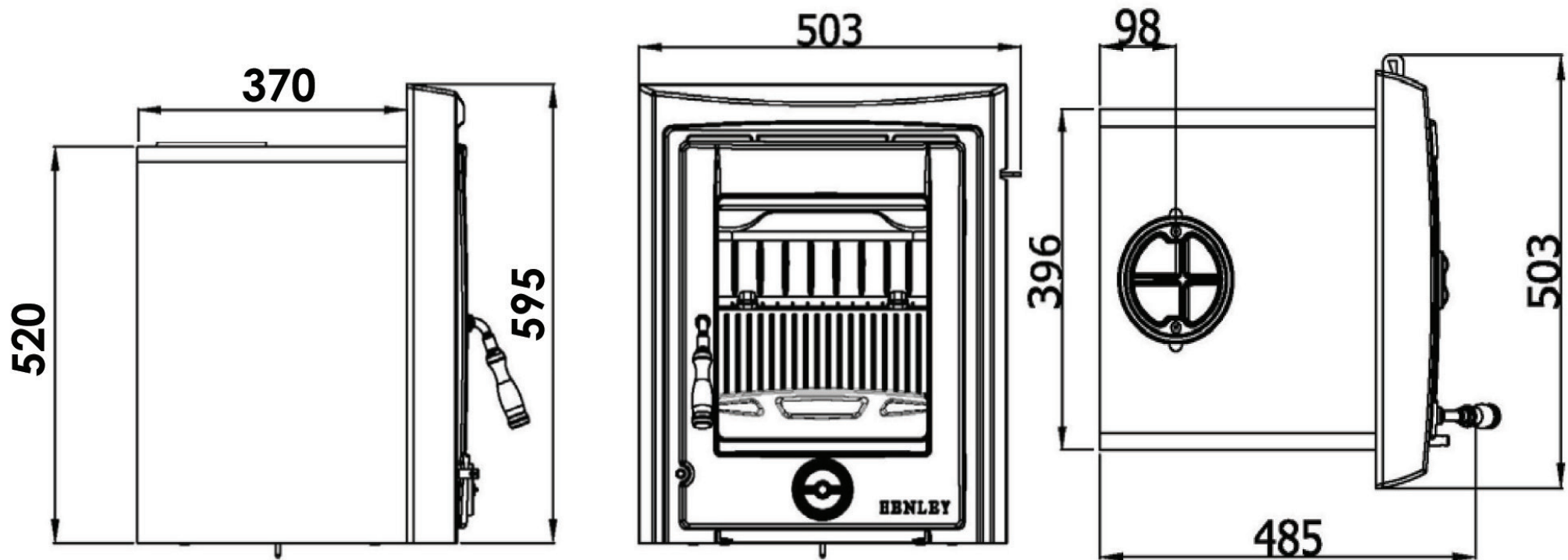


APOLLO 7kW - INSERT - DIMENSIONS



*All measurements in millimetres (MM)
All Dimensions are correct at time of publishing, but may be subject to slight change.
Please confirm exact dimensions before commencing installation works

HEIGHT: 595mm | WIDTH: 485mm | DEPTH: 425mm | FLUE SIZE: 125mm

BACK-BOX HEIGHT: 520mm | BACK-BOX WIDTH: 396mm | BACK-BOX DEPTH: 370mm