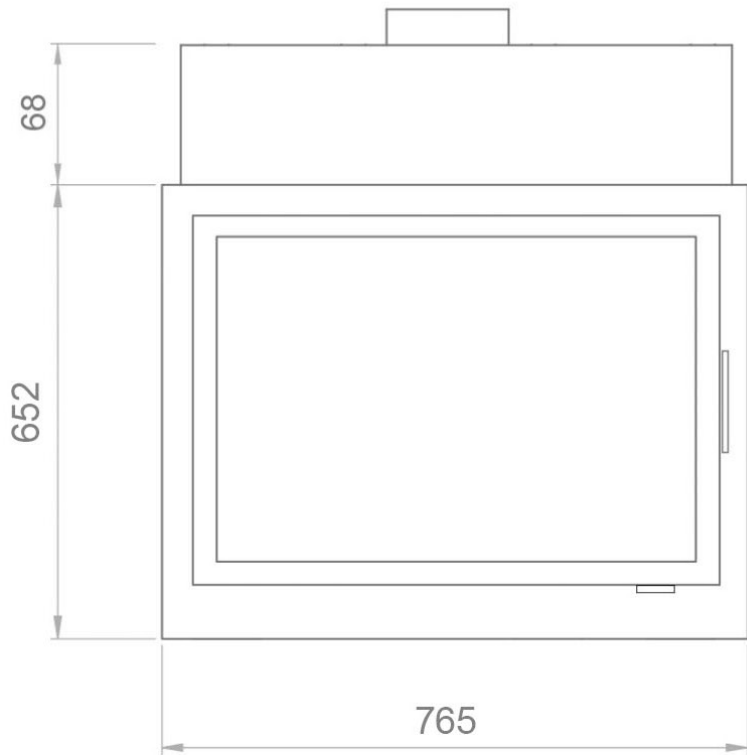


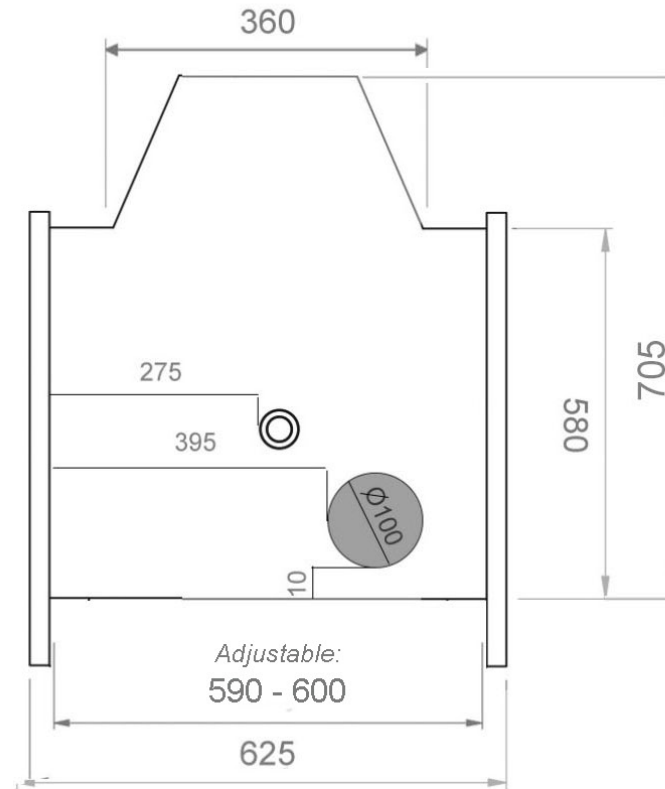
FARO 700 DS - BOILER - DIMENSIONS



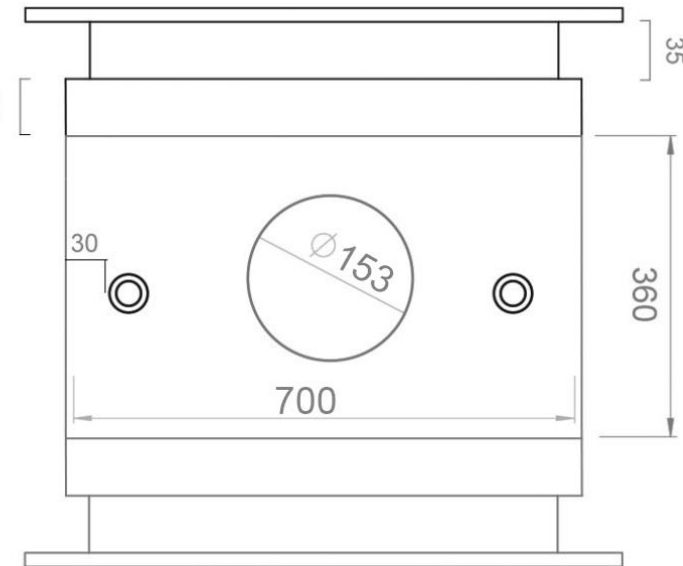
Front



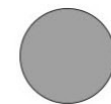
Right Side



Top



Pipes
Internal Dimension = 33mm
External Dimension = 45mm



External Air
Internal Dimension = 95mm
External Dimension = 100mm

*All measurements in millimetres (MM)
All Dimensions are correct at time of publishing, but may be subject to slight change.
Please confirm exact dimensions before commencing any installation works

HEIGHT: 720MM | WIDTH: 765MM | DEPTH: 590 - 600MM* (Adjustable) | FLUE SIZE: 153MM
BACKBOX HEIGHT: 730MM | BACKBOX WIDTH: 700MM