



Orion 400 & 700

Installation and Operating Manual

PLEASE READ ALL THESE INSTRUCTIONS CAREFULLY!

For safety reasons it is essential that your stove is correctly installed and operated. Henley Stoves cannot accept responsibility for any fault or consequential problems arising through incorrect installation or operation.

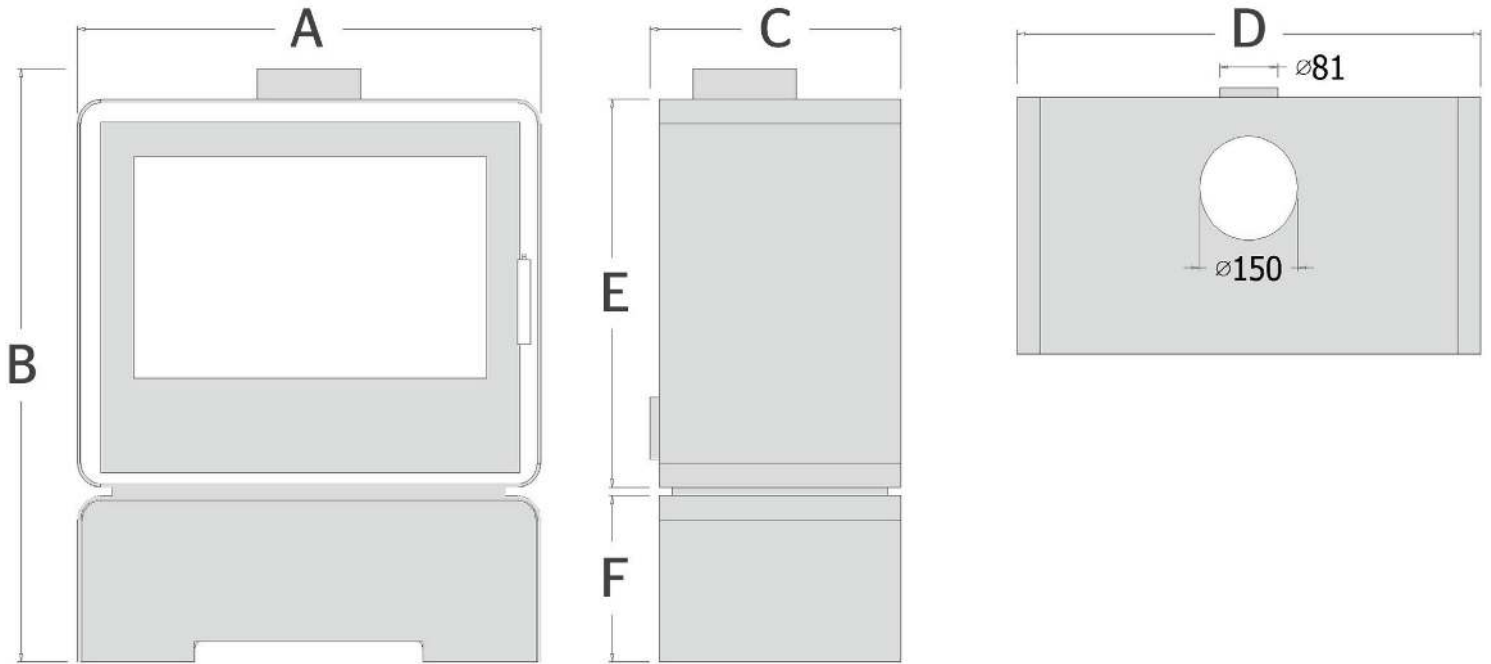
Important: - This product must be installed by a suitably qualified installer.

Congratulations on your purchase of your Henley Stove. With the proper care and attention your Henley stove will give you a lifetime of heat, comfort and pleasure. This manual contains instructions on how to install and maintain your Henley Stove. For both your comfort and safety please take the time to read through it carefully.

Technical Specification	3
Stove Commissioning Checklist	4
Installation Instructions	5
Hearth	5
Ventilation	6
Chimney	6
Flue Positions	7
Height Over Adjacent Building	7
Height Over Roof	8
Height Over Openings	8
Flue Options	8
Flue Options - Top/Rear	9
Flue Options - Diagram	9
The Clean Air Act 1993 And Smoke Control Areas	10
Combustible Materials	11
Recommended Fuels	12
Lighting The Stove	12
Re-fuelling	12
Refuelling On To A Low Fire Bed	13
Fuel overloading	13
Operation With Door Left Open	13
Dampers Left Open	13
Shutting Down Stove	14
Maintenance - Baffle Plate	14
Maintenance - Chimney Sweeping	14
Maintenance - Removing The Ashpan	14
Maintenance - Replacing The Fire Rope Around Your Stove Door	14
Maintenance - Replacing The Baffle Plate In Your Stove	14
Maintenance - Replacing The Glass In Your Stove Door	15
Maintenance - Removing The Fuel Retainer	15
Air Control	16
Door handle	16
Stove Finish (Paint)	17
Warranty	17
Chimney Fire and Over Firing	18
Parts	18
Safety	18
Fire Cement	19
Asbestos	20
Annual Service	20
Seasonal Use	20
Frequently Asked Questions	20
Competition	20
Warranty Form	21

Technical Specification

Orion 400 / 700



Model	Size A	Size B	Size C	Size D	Size E	Size F
Orion 400	415	856	384	621	604	240
Orion 700	710	856	384	710	560	240

All sizes in MM

***All sizes are correct at time of publishing but are subject to change without prior notice. Please ensure you confirm all measurements before commencing any installation works.

Orion 700	
Power:	12kW
Finish:	Steel
Flue Size:	153mm
Flue Location:	Top

Orion 400	
Power:	5kW
Finish:	Steel
Flue Size:	153mm
Flue Location:	Top

***Safe distances to combustible materials should be 700mm to the rear and 600mm to the side

Stove Commissioning Checklist

Please complete the form below as it will be of great assistance in the unlikely event that there is a problem with the stove or a warranty claim needs to be made. Please contact the installer or dealer if there is a problem.

Dealer appliance was purchased from

Name: _____

Address: _____

Phone: _____

Essential Information - MUST be completed

Date installed: _____

Model Description: _____

Serial number: _____

Installation Engineer

Company name: _____

Address: _____

Phone: _____

HETAS Approved (Please tick relevant box): Yes No If Yes, please include certificate of compliance.

Commissioning Checks (to be completed and signed)

Stove correctly flued according to building regulations: Yes No

Flue swept and integrity of flue verified: Yes No

Smoke test completed on installed stove: Yes No

Spillage test completed: Yes No

Use of appliance and operation of controls explained to end-user: Yes No

Check that specified clearance to combustibles has been adhered to: Yes No

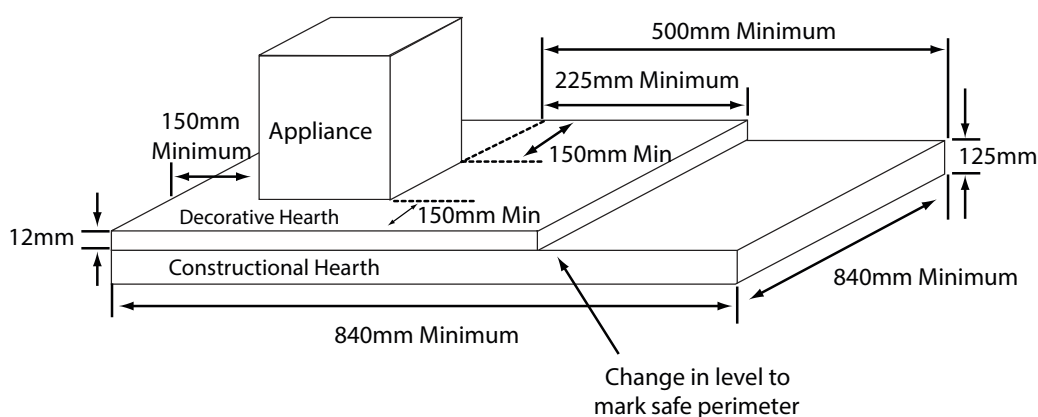
Instruction manual handed to end-user: Yes No

Signature: _____ Print name: _____

Installation Instructions

1. Before installation and/or use of this appliance please read these instructions carefully to ensure that all requirements are fully understood. The appliance must be fitted by a registered installer*, or approved by your local building control officer.
2. All local regulations, including those referring to national and european standards need to be complied with when installing the appliance. In all cases the installation must comply with current local regulations including Building Regulations, Local Authority Byelaws and other specifications or regulations including Ireland, UK or EU standards referred to as they affect the installation of the stove. Please refer to Building regulations available on <http://www.environ.ie> and <http://www.planningportal.gov.uk>.
3. Only use for domestic heating in accordance with these operating instructions.
4. Only approved fuels must be burned. Do not use with liquid fuels or as an incinerator.
5. Appliance surfaces become very hot when in use. Use a suitable fireguard if young children, elderly or infirm persons are present.
6. Do not place photographs, TV's, paintings, porcelain or other combustible items on the wall or near the appliance. Exposure to hot temperatures will cause damage. Do not place furniture, or other items such as drying clothing, closer than 1m from the front of this appliance.
7. Extractor fans or cooker hoods must not be placed in the same room or space as this can cause the appliance to emit fumes into the room.
8. Do not obstruct inside or outside ventilation required for the safe use of this appliance.
9. Do not make unauthorised changes to the appliance.
10. The chimney must be swept at least once a year
11. Do not connect, or share, the same flue or chimney system with another appliance.
12. The serial number is required when ordering spare parts or making warranty claims. It is found on the appliance data plate.

Hearth



The appliance must stand on a non-combustible constructional hearth which is at least 125mm thick. The building must have a suitable load-bearing capacity for the hearth and appliance. Consult a structural engineer for advice before proceeding. When fitting into an existing hearth check that the hearth complies with current construction regulations and is at least the minimum sizes shown. If there is no existing fireplace or chimney it is possible to construct a suitable non-combustible housing and hearth setting. The flue must be installed in accordance with all local and national regulations and current rules in force. Check if adding a new chimney to your property requires planning permission. The hearth must protrude at least 250mm in front of the stove and 150mm each side. If the hearth is constructed on timber, there must be a clearance of at least 250mm from the timber to the top surface of the hearth.

Ventilation

This appliance requires a constant supply of air to maintain proper combustion and effective flue performance. An inadequate air supply can result in poor combustion and smoke entering the room which is potentially dangerous. This supply of air can come from either:

- The natural leakage of air into the room in which the product is fitted.
- Purpose provided ventilation.

The amount of air required must comply with local building regulations and the rules in force. If spillage is detected during commissioning then there may be insufficient natural ventilation and an additional air supply will be necessary. Many older buildings are sufficiently ventilated by natural leakage of air to provide suitable air supply for an appliance of 5kW output or less.

Extractor fans should not be installed in the same room as the appliance and any air vents should be positioned so that they are not liable to blockage.

Chimney

The chimney draw is critical on any installation and should be checked to ensure that it matches what is specified. If it is higher than

recommended provision must be made to correct the overdraw. The draw can vary in different weather conditions and the customer should be made aware of this. Failure to correct an over-drawing flue will invalidate the warranty, and may damage the appliance.

Please remember that chimney draught is dependent on four main factors.

- Flue gas temperature
- Flue height
- Flue size
- Flue terminal

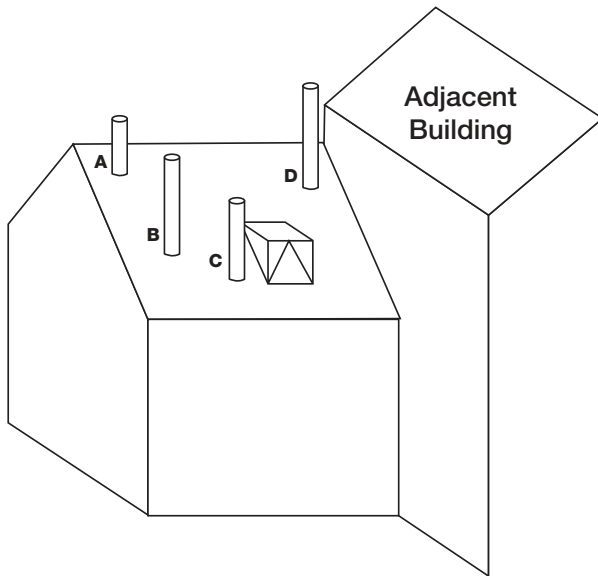
The flue or chimney system must be in good condition. It must be inspected by a competent person and passed for use with the appliance before installation. Products of combustion entering the room can cause serious health risks.

The following must be checked:

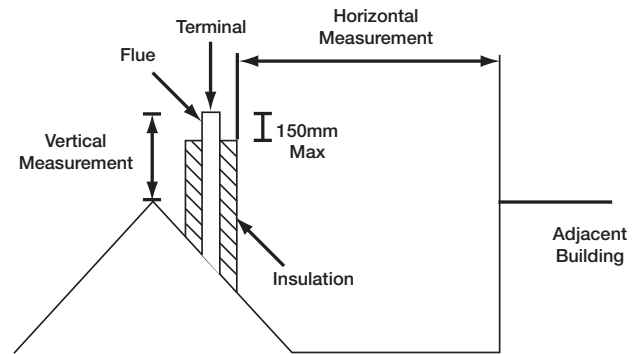
- The construction of the masonry chimneys, flue block chimneys and connecting flue pipe system must meet the requirements of the Building Regulations.
- A flexible flue liner system can be used if certified for use with solid fuel systems and installation complies with manufacturer's instructions and Building Regulations. The flue liner must be replaced when an appliance is replaced, unless proven to be recently installed and in good condition.
- If it is necessary to fit a register plate it must conform to the Building Regulations.
- The minimum height of the flue or chimney must be 4.5m from the hearth to the top of the flue, with no horizontal sections and a maximum of 4 bends. Bends must have angles of less than 45 degrees from the vertical.
- Ensure the connecting flue pipe is kept a suitable distance from any combustible material and does not form part of the supporting structure of the building.
- Make provision to remove the appliance without the need to dismantle the chimney.
- Any existing flue must be confirmed as suitable for the new intended use as defined in the Building Regulations.
- The flue or chimney systems must be inspected and swept to confirm the system is structurally sound and free from obstructions.
- If the chimney is believed to have previously served an open fire it must be swept a second time within a month of regular use after installation to clear any soot falls that may have occurred due to difference in combustion levels.
- The flue exit from the building must comply with local building control rules.
- Do not connect or share the flue or chimney system with another heating appliance.
- Do not connect to systems containing large voids or spaces over 230mm square.
- Suitable access must be provided to enable the collection and removal of debris.
- The flue must be swept and inspected when the appliance is installed.
- The flue draught must be checked with all windows and doors closed and any extraction fans in this, or adjoining rooms, running at maximum speed (see next section for additional ventilation requirements). Max. draught = 2.0mm Wg, Min. draught = 1.0mm Wg

Flue Positions

These positions are defined by Document J of the Building Regulations.



Seek specialist advice if installing in a dwelling with a thatched roof



The datum for vertical measurement is the point of discharge of the flue from either the point of discharge of the flue or 150mm above insulation, whichever is the lower.

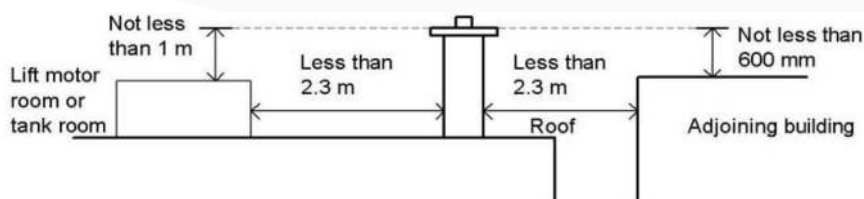
	Point where the flue passes through weather surface (Note 1 & 2)	Clearances to the flue outlet
A	At or within 600mm of the ridge	At least 600mm above ridge
B	Elsewhere on the roof (whether pitched or flat)	At least 2300mm horizontally from the nearest point on the weather surface (a) at least 100mm above the highest point of interaction of the chimney and weather surface; or (b) at least as high as the ridge
C	Below (on a pitched roof) or within 2300mm horizontally to openable rooflight, dormer window, or other opening (Note 3)	At least 1000mm above the top as the ridge
D	Within 2300mm of an adjoining or adjacent building, not beyond the boundary (Note 3)	At least 600mm above any part of the adjacent of the building wall

- Note:
1. The weather surface is the building external, such as it's roof tiles or external walls.
 2. A flat roof has a pitch less the 10°
 3. The clearance given for A or B, as appropriate, will also apply.
 4. A vertical flue fixed to an outside wall should be treated as equivalent to an inside flue emerging at the nearest edge of the roof



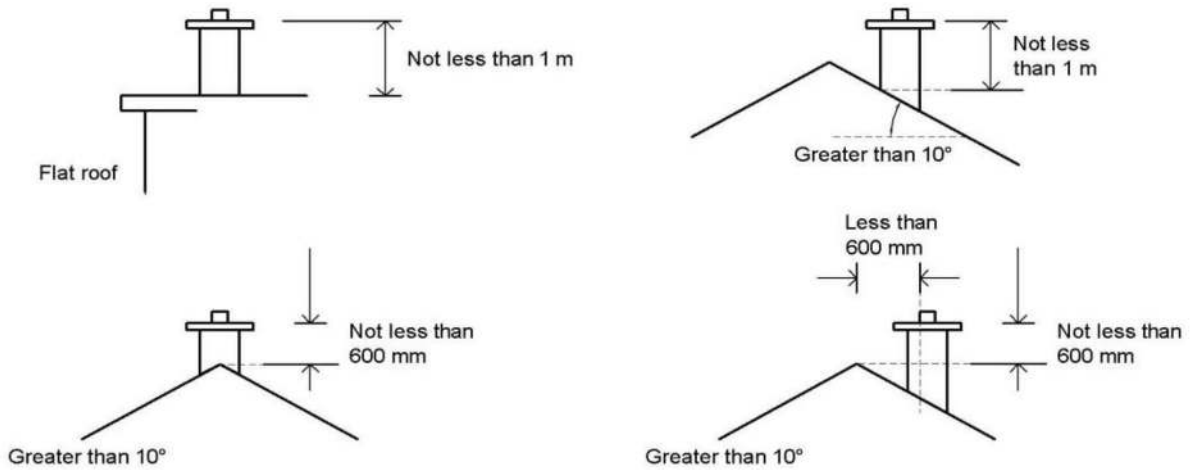
NOTE: Under no circumstances should this appliance be connected to a shared flue system, that serves any other heating appliance.

Height Over Adjacent Building



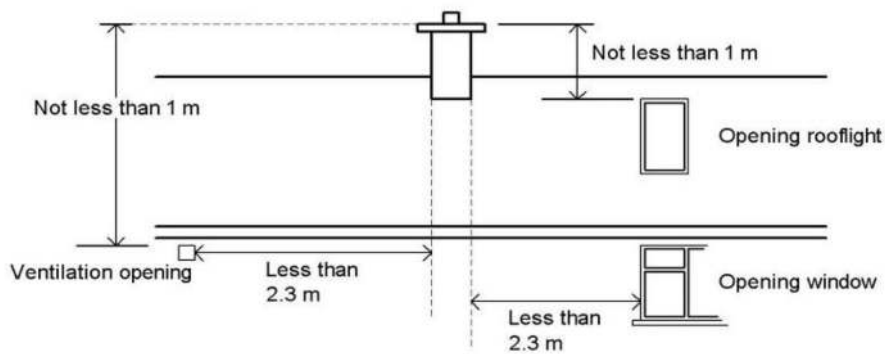
The Outlet of a chimney or flue in relation to an adjacent building should be as seen above

Height Over Roof



Outlet of a chimney or a flue to be not less than 1m above the highest point of contact of chimney and roof. Where the roof has a pitch of more than 10° on both sides and the outlet is at the ridge or within 600mm of it, the height of the chimney or flue pipe may be reduced to 600mm.

Height Over Openings



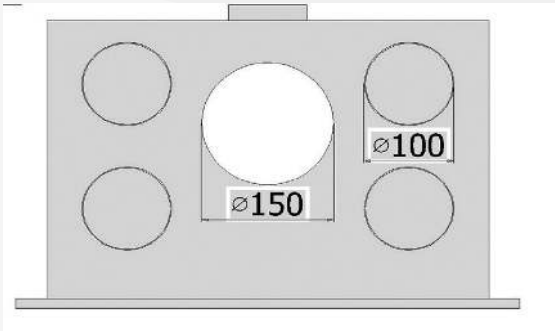
The outlet of a chimney or flue pipe should also be not less than 1m above the top of any opening skylight, opening window or wall ventilator within 2.3m

Flue Options

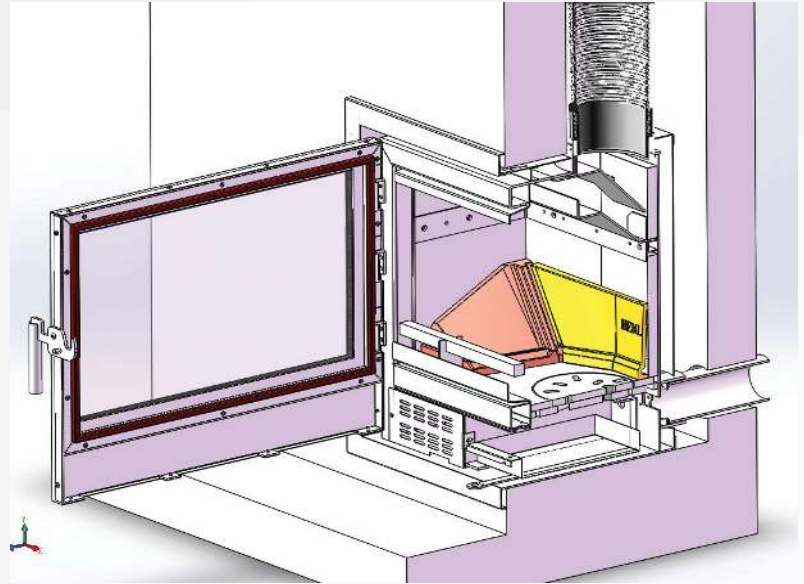
Each installation is unique to the property so it is not possible to give details to suit every setting. The installation must comply with Building Regulations and be made using best practice construction methods. Many fireplace openings have a supporting lintel. Do not remove without supporting the remaining structure of the building. do not support the structure with the appliance or the flue system.

Take care when installing the appliance. Careless handling and use of tools can damage the finish and/or area. Choose top or rear flue exit and fit flue collar to suit installation. Seal with fire cement.

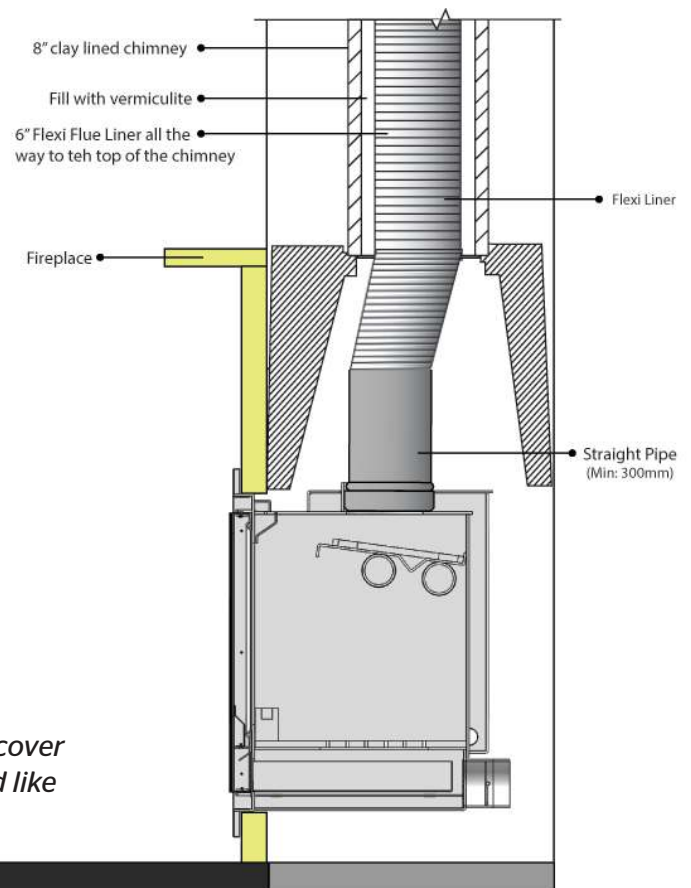
Flue Options - Top



If not using External Air Supply do not remove cover from back of outlet. The stove can then be flued like a standard stove



Flue Options - Diagram



We recommend flexi liner is used for maximum efficiency



If not using External Air Supply do not remove cover from back of outlet. The stove can then be flued like a standard stove

Ensure you comply with all Building Regulations when installing your appliance.

The Clean Air Act 1993 And Smoke Control Areas

Under the Clean Air Act local authorities may declare the whole or part of the district of the authority to be a smoke control area. It is an offence to emit smoke from a chimney of a building, from a furnace or from any fixed boiler if located in a designated smoke control area. It is also an offence to acquire an "unauthorised fuel" for use within a smoke control area unless it is used in an "exempt" appliance ("exempted" from the controls which generally apply in the smoke control area).

The Secretary of State for Environment, Food and Rural Affairs has powers under the Act to authorise smokeless fuels or exempt appliances for use in smoke control areas in England. In Scotland and Wales this power rests with Ministers in the devolved administrations for those countries. Separate legislation, the Clean Air (Northern Ireland) Order 1981, applies in Northern Ireland. Therefore it is a requirement that fuels burnt or obtained for use in smoke control areas have been "authorised" in Regulations and that appliances used to burn solid fuel in those areas (other than "authorised" fuels) have been exempted by an Order made and signed by the Secretary of State or Minister in the devolved administrations.

Further information on the requirements of the Clean Air Act can be found here : <http://smokecontrol.defra.gov.uk/>
Your local authority is responsible for implementing the Clean Air Act 1993 including designation and supervision of smoke control areas and you can contact them for details of Clean Air Act requirements

Combustible Materials

Safe distances to combustible materials for the Orion 400 & 700 should be **700mm to the rear & 600mm to the side**. Ideally, adjacent walls should be of suitable non combustible construction, preferably brickwork. In large fireplaces take care that any supporting beam is protected by a 13mm (0.5") thick sheet of Masterboard / Supalux spaced 13mm (0.5") off the surface with strips of non-combustible material.

Make sure that there is a gap between an un-insulated flue system and any combustible material. This gap must be at least 3x the outside diameter of the flue pipe, or 1.5x the flue diameter to non-combustible surfaces.

Recommended Fuels

Wood logs - Burn only seasoned timber with a moisture content of less than 20%. To ensure this allow cut wood to dry for 12 to 18 months. Poor quality timber causes low combustion efficiency, produces harmful condensation, reduces effectiveness of the airwash and life of the appliance. DO NOT burn construction timber painted, impregnated / treated wood, manufactured board products or pallet wood. Wood length max 200mm, and 100mm in diameter.

Solid fuel - Burn only anthracite or manufactured briquette smokeless fuels listed as suitable for use with closed heating appliances.



DO NOT burn solid fuels including anthracite, manufactured briquette smokeless fuels, bituminous coal, 'petro-coke' or other petroleum based fuels as this will invalidate the product warranty.

Lighting The Stove

We recommend that you have two or three small fires before you operate your stove to its maximum heat output. This is to allow the paint to cure in steadily and to give a long service life of the paint finish. During this curing in process you may notice an unpleasant smell whilst the finishes finally cure. It is non-toxic, but for your comfort we would suggest that during this period you leave all doors and windows open.

First, open the primary and secondary air wash control fully. Load the firebox with plenty of starting fuel, i.e. paper, dry sticks and/or

firelighters. Light the fire at the base leaving the primary and secondary air control fully open. Leave the door slightly ajar for 10 minutes to enhance initial starting and reduce smoke emission – DO NOT leave the stove unattended if the door is left ajar. Allow the fuel to reach a steady glow and build the fire up gradually by adding a few small sticks or well split logs at a time. Once you have a good fire bed

established across the grate, further fuel can be added step by step as required. Don't be tempted to overload the fire bed with fuel all at once or close down the air controls too much until the fire is really well established for some time. Once the ignition period is well under way close the primary air and gradually reduce the secondary air wash control opening to establish the burning intensity you require (usually open 25% approx.).

Re-fuelling

When burning wood, the fire will die down as the fuel is consumed. When the flames disappear and the remainder is breaking down into glowing embers it is an appropriate time to consider re-fuelling. Note: If the flames disappear and there are still lumps of solid wood left this indicates excessive moisture in the wood or insufficient air supply/ flue draught.

Note: To eliminate unwanted smoke emission, after loading new logs on to the fire, open the air wash control up fully for 1-2 minutes to boost the fire and get flames issuing from the top of the fuel as soon as possible. When flames are well established, reduce the air wash to the running setting required. Burning without flames above the fuel will create unnecessary smoke. Do not load fuel above the tertiary air inlet holes at the back of the firebox. Loading 1 to 2 medium sized logs will produce a good output with reasonable burn time, generally small logs will burn up quicker producing a high output for a short time and a large log will take longer to burn and produce less output over a given time.

This appliance is approved for intermittent operation on wood (0.75 to 1.5 hour burn cycles) although much longer burn times can be achieved by fully loading the firebox, getting the fuel burning well and then shutting the air controls down. The fire will then often need reviving by first de-ashing and then using small pieces of wood and plenty of air to get flames issuing from the wood again.



Directly after refuelling it was necessary to operate with the secondary air fully open for a period 3 to 5 minutes before closing to the desired setting

Refuelling On To A Low Fire Bed

If there is insufficient burning material in the firebed to light a new fuel charge, excessive smoke emission can occur. Refuelling must be carried out onto a sufficient quantity of glowing embers and ash that the new fuel charge will ignite in a reasonable period. If there are too few embers in the fire bed, add suitable kindling to prevent excessive smoke

Fuel overloading

The maximum amount of fuel specified in this manual should not be exceeded, overloading can cause excess smoke.

Operation With Door Left Open

Operation with the door open can cause excess smoke. The appliance must not be operated with the appliance door left open.

Dampers Left Open

Operation with the air controls or dampers open can cause excess smoke. The appliance must not be operated with air controls or dampers door left open except as directed in the instructions.

Shutting Down Stove

The stove will normally shut down by itself as the fuel is consumed. In order to shut down the stove for other reasons, close the primary air controls (if open), then close the secondary air control. If the controls are left in this position, the fire will eventually burn out. If you want to revive the fire open the secondary air controls fully.



The stove will remain very hot for a considerable time after the fire has died down or been extinguished. Petroleum coal fuels or household waste must not be burnt on this appliance

Maintenance - Baffle Plate

Inspect the inside of the firebox and above the baffle plate every week during use. Only use manufacturers recommended replacement parts on the appliance.

Maintenance - Chimney Sweeping

Sweeping should be carried out with the correct size brush and rods to suit the chimney size and type. As with all appliances regular sweeping of the flue is essential to avoid the danger of a blockage and escape of poisonous fumes. Access for cleaning should be incorporated into the chimney (e.g. soot door, access through the register plate etc.) Any existing chimney should be swept prior to installation of the stove, and then again a second time within one month of regular use after installation to establish the frequency of sweeping required. This should be done by and competent person such as a NACS chimney engineer who will provide a Certificate of Chimney Sweeping. Sweep the whole flue way, including the outlet at least twice a year per burning season. It is important that the flue ways, flue pipe and chimney be cleaned prior to lighting the fire after a prolonged shut-down period.

Maintenance - Removing The Ashpan

The appliance will require ash to be removed periodically, ash may be removed with a small metal shovel whilst the fire is still alight, by raking the embers of a low fire to one side of the firebox and carefully removing the ash. Repeating the procedure for the other side of the firebox. Care must be taken not to risk burning your hands or household objects from falling embers. The ash pan should be emptied at least twice a day or when the ash reaches the top of the ash pan. On no account should the ash be allowed to build up to touch the underside of the grate bars, as this will greatly reduce the life span of the grate.



Maintenance - Replacing The Fire Rope Around Your Stove Door

Periodically visually check over the door rope seal for any damage, cuts or tears and detached sections. The rope gasketing can be replaced, using a universal roping kit. Instructions for rope replacement are as follows:

- Ensure the appliance is cold
- Unscrew the hinges and lift the door off the appliance and lay onto a flat surface with the rear face upwards
- Carefully remove the old rope gasket and old adhesive. Take note of the layout of the rope seal. Ensure no traces of the old adhesive or rust / flaky paint is present, as this will result in an unsound joint
- Apply the rope adhesive following the instructions on the bottle
- Press the rope gasketing into the channel on the rear door casting, following the same layout as the old rope seal
- Just before the final end, cut the rope seal to length and glue into position
- Allow at least 30 minutes before refitting the door to the appliance

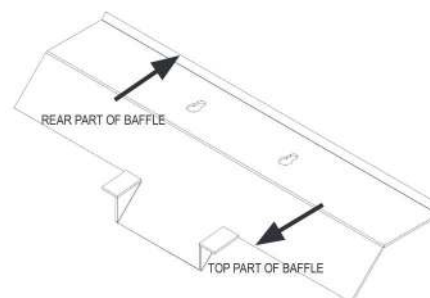
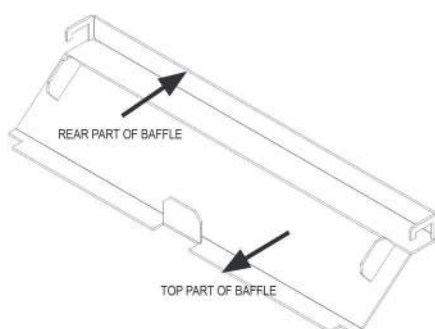
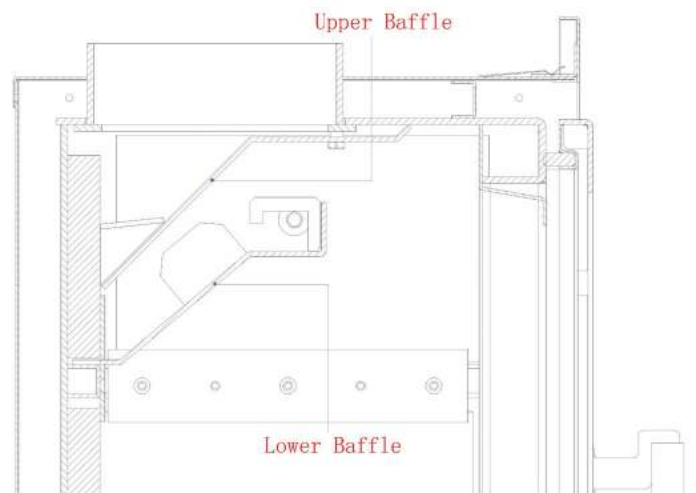


Maintenance - Replacing The Baffle Plate In Your Stove

Replacing the baffle plate in your stove. In the event you need to replace the baffle plate in your stove, please ensure you have it installed correctly as shown in the diagram.

The longer section of the baffle plate needs to be at the top of the stove and sits on the metal lip.

The shorter end of the baffle plate sits behind the metal plate at the back of the stove as shown.



Maintenance - Replacing The Glass In Your Stove Door

Replacing the glass in your stove door

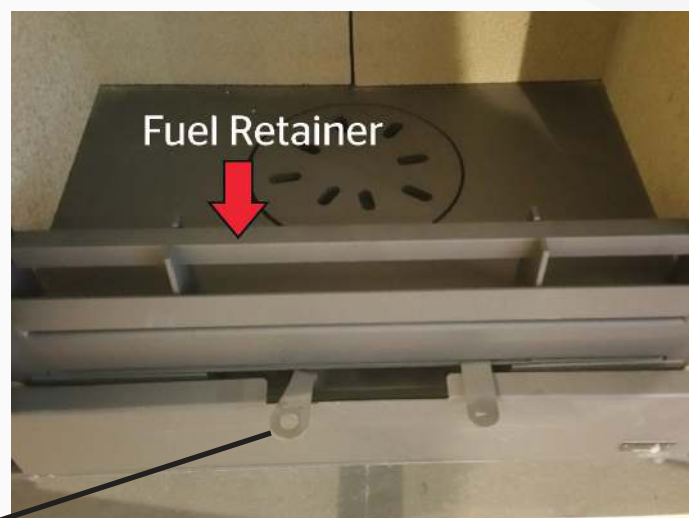
In the event of the door glass being broken it can easily be replaced using the following procedure:

- Ensure the appliance is cold.
- Lift the door off the appliance and lay onto a flat surface with the rear face upwards.
- Unscrew the four screw fixings securing the glass clips and remove both clips, and fixings.
- Carefully remove any pieces of broken glass and sealing gasket. Wear suitable gloves for this procedure. Take note of the position and joint of the rope gasket.
- Replace the rope gasket, remove the self adhesive backing on the rope as you go, start at the bottom of the window, centrally. Push the adhesive side of the rope into the groove on the rear of the door casting gradually work your way round until the ends of the rope meet.
- Re-seat the new glass, ensuring the glass sits fully against the gasket.
- Replace the four retaining clips and fixing screws. Do not over tighten the fixings as damage may occur to the glass.
- Refit the door assembly back onto the stove, carefully lift the door over the hinge pins and slot into place.



Maintenance - Removing The Fuel Retainer

- Lift fuel retainer clear of the supporting brackets.
 - Pull directly up to clear the sides of the door opening.
- Do not use appliance without the fuel retainer in position.

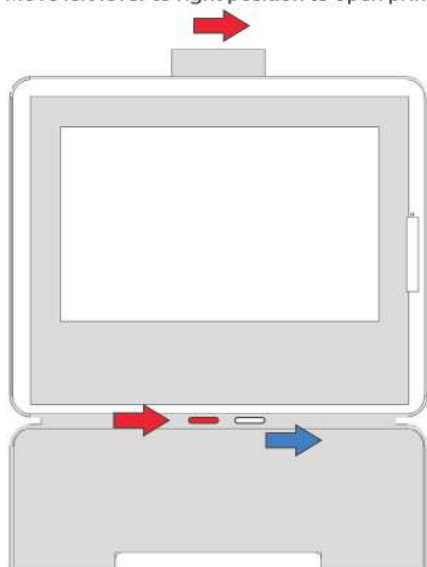


DO NOT LEAVE AIR LEVERS FULLY OPENED FOR LONG PERIODS. WE RECOMMEND TO NEVER OPEN TO MORE THEN 60%, AS EXTENDEND USE OF STOVE AT MORE THEN 60% PROFICIENCY MAY DAMAGE STOVE

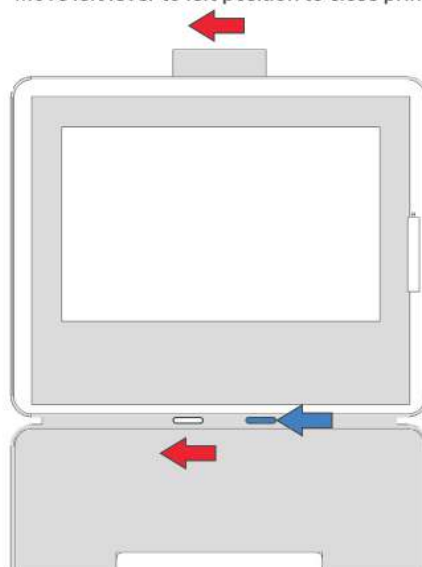
Air Controls

- 1) Primary Air - Moving the lever to the right opens the primary air and allows air into the stove. You would normally open this when starting a fire to allow air into the stove for maximum combustion.
- 2) Secondary Air (Airwash)- The secondary air allows a film of air to pass over the glass which in turn keeps the glass clean. Please note the glass may become visibly darker when the stove is cold.
- 3) Tertiary Air - Tertiary air further compliments the cleanburn system as a third air intake. The air is drawn up the back of the stove via a series of chambers and is then injected into the back of the upper fire chamber through small steel jets. The jets of superhot air ignite the remainder of gases that will only burn off at very high temperatures

Move left lever to right position to open primary air



Move left lever to left position to close primary air



DO NOT USE YOUR BARE HAND TO ADJUST AIR CONTROLS WHILE THE STOVE IS IN USE, USE A PROTECTIVE GLOVE

Move right lever to right position to close secondary air



Move right lever to left position to open secondary air



DO NOT LEAVE AIR LEVERS FULLY OPENED FOR LONG PERIODS. WE RECOMMEND TO NEVER OPEN TO MORE THEN 60%, AS EXTENDEND USE OF STOVE AT MORE THEN 60% PROFICIENCY MAY DAMAGE STOVE

Door handle

Properly installed, operated and maintained, this appliance will not emit fumes into the room. Occasional fumes from de-ashing and refuelling may occur. Persistent fume emission is potentially dangerous and must not be tolerated.

If fume emission does persist:

- Open doors and windows to ventilate the room.
- Leave the room.
- Allow fire to burn out and safely dispose of fuel from the appliance.
- Check for chimney blockage and clean if required.
- Do not attempt to relight until the cause of the emission has been identified and corrected
- If necessary seek expert advice.

All open flued appliances can be affected by temporary atmospheric conditions which may allow fumes to enter the house. Because of this an electronic carbon monoxide detector conforming to the latest edition of BSEN50291 must be fitted in the same room as the appliance. The existence of an alarm must not be considered a substitute for ensuring regular servicing and maintenance of the appliance and chimney system. If the alarm sounds follow the instructions given under Warning above.

Stove Finish (Paint)

The outside of the stove is finished in a durable high temperature paint. It is best cleaned by brushing down with a soft brush. Do not allow water to remain on the surface when cold or rust may occur. The high temperature paint finish should not require attention for some time, depending on use. The hotter the fire is burned the sooner repainting will be necessary. Aerosol tins of paint are available for complete refurbishing. Before repainting make sure the stove is out and cold

- Remove door glass
- Lightly wire brush and rub with wire wool the body of the appliance to remove any loose paint powder.
- Mask or remove items such as brass work
- Adjacent brickwork, mantelpiece, hearth etc., should be carefully masked for quite a distance around the appliance. (this precaution is to prevent the discolouration of the surrounding brickwork, wallpaper etc).
- Re-spray in a well ventilated area, avoid breathing the vapour. Refer to the safety instructions on the paint can.
- When paint is dry refit door glass and any other parts previously removed.
- Leave to dry for 8 hours and refit the door glass etc.
- Burn slowly for the first 4 hours, then build up heat gradually to cure the paint.

Note: Use only genuine Henley Stoves spray paint as some paints interact and spoil the stove finish and invalidate the warranty.

Warranty

Please note below what is covered in our warranty policy. You need to register your warranty online or via the post in order to activate the warranty for your stove. The appliance needs to be installed by a HETAS approved engineer and in accordance of Building Regulations to be valid. In the event you require a service engineer to inspect the appliance, a standard charge of €120 is payable prior to any inspection. In the event the engineer find a defect in the stove which warranted the service call, Henley Stoves will reimburse you the €120. Please note issues such as replacing fire rope, replacing the door handle, paint peeling, etc, does not warrant a service call and can be easily done using the instructions in this manual.



Chimney Fire and Over Firing

DO NOT over fire your appliance. Over firing your stove will cause the paint to peel off your stove and is not covered in our warranty. Using any flammable liquids, or too much fuel, or firing the stove at maximum for prolonged periods may result in over firing. If the chimney connector or casing starts to glow red, the appliance is being over-fired. This may result in a chimney fire,

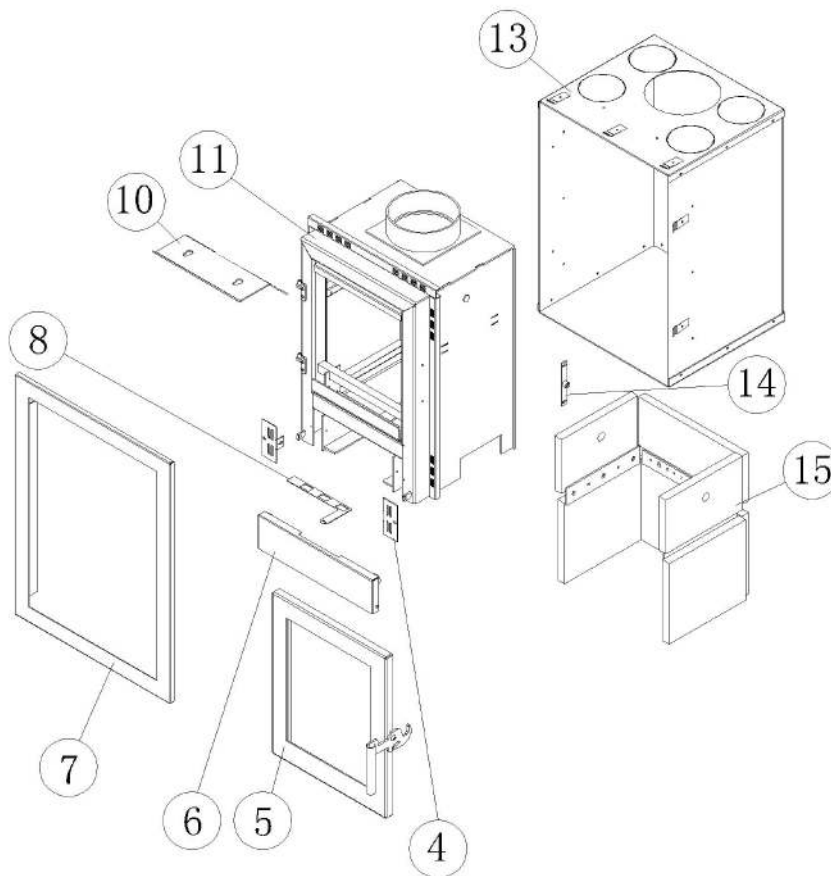
If this occurs :

- Call the Fire Service - Dial 999 or 112
- Immediately close all of the air inlets to the appliance to reduce the air supply to the fire
- Move items of furniture and combustibles away from the stove to reduce the risk of a fire, and allow access for the fire service.
- Ensure access to the loft space is available
- Evacuate the property

NOTE: The Chimney fire may have caused structural damage to the chimney. Do not use the stove again until the stove, chimney and connector have been inspected, and any damage parts have been repaired or replaced. This work should only be carried out by a HETAS registered engineer.

Parts

Over time you may require replacement parts for your Henley Stove. Replacement parts are available through your local stockist. Please use the below diagram to establish the part you require for your stove. Please ensure you quote the model name and also the serial number of the stove when ordering your spare parts. ONLY USE GENUINE HENLEY APPROVED REPLACEMENT PARTS FOR YOUR STOVE.



Ref No.	Description	Ref No.	Description	Ref No.	Description	Ref No.	Description	Ref No.	Description
						4	Bottom Decorated Plate	5	Door
6	Ash Pan Cover	7	Frame	8	Second Air Lever			10	Baffle
11	Fire Box			13	Out Chamber	14	Latch	15	Inner Vermiculite

Carbon Monoxide Alarm

As part of act SI.9 and TGD Part L (2014) it is now mandatory to install a Carbon monoxide detectors in any dwelling with combustion and discharge of combustion gases from heat producing appliances"

Safety

A fireguard conforming to BS 8423:2010 should be used in the presence of children, the old or infirm.

Please note, this appliance should be used with the fire door closed at all times except when fuelling, de-ashing or initial lighting.

Do not use aerosol sprays or any other flammable materials near the appliance under fire. Fire cement is caustic, hand and eye protection should always be worn, prolonged contact with the skin should be avoided. Henley Stoves will not be responsible for any consequential or incidental loss or injury however caused. Before continuing any further with the installation of this appliance please read the following guide to manual handling.

- Always obtain assistance when lifting the appliance
- When lifting always keep your back straight, bend your legs not your back
- Avoid twisting at the waist. It is better to reposition your feet.
- Avoid upper body/top heavy bending. Do not lean forwards or sideways when handling the fire
- Always grip with the palms of your hands do not use your fingertips for support, use gloves for a better grip
- Always keep the stove close to the body as this will minimise the cantilever action.

Fire Cement

Some types of fire cement are caustic and should not be allowed to come into contact with the skin. In case of skin contact, wash immediately with plenty of water.

Asbestos

This stove contains no asbestos. If there is a possibility of disturbing any asbestos in the course of installation then please seek specialist guidance and use appropriate protective equipment.

Annual Service

Before the start of the heating season strip, inspect and clean the appliance as detailed:

- Allow appliance to cool.
- Remove all internal parts: baffle, log guard and firebricks. Take care handling firebricks as they can become fragile after a period of use.
- Sweep the appliance at this point if necessary.
- Vacuum clean any remaining ash and debris from the inside of the appliance.
- Check the parts for any damage. Replace any damaged parts using genuine Henley Stoves replacements parts.
- Check and clean the firebricks with a soft brush. Some surface damage will occur during use. The life of the bricks will depend on the type of fuels burnt and the level of use. Replace damaged bricks as soon as possible.
- Re-fit cleaned internal parts.
- On printed glass surfaces, use Glass Cleaner. Do not use abrasive cleaners to remove tar or soot deposits from the glass.
- Fit new door rope seal
- Lightly oil the door catch mechanism and hinge pins. Avoid getting oil onto the door seals and glass.

Seasonal Use

Remove the baffle and inspect the inside of the stove and the flue ways and ensure they are 100% clear after a period of disuse, for example if the stove is not used during the warmer periods of the year. Also set the air controls half open to keep the appliance ventilated and stop the build-up of any moisture inside.

Frequently Asked Questions

Why are my air inlets puffing smoke?

Combustion gases can build up in the firebox and ignite as small explosions, causing smoke to puff out of the air inlets and other openings. This occurs if the air controls are shut soon after adding new fuel to a very hot fire. Stop by opening the air controls to increase combustion air and burning rate.

What is a flue draught?

The chimney has two main functions:

- 1) To safely remove the smoke, gases and fumes from the house.
- 2) To provide a sufficient amount of draught (suction) in the appliance ensuring the fire keeps burning.

Draught is caused by the rising hot air in the chimney when the appliance is lit. Symptoms of poor performance related to flue draught include:

- Excessive fuel consumption (high flue draught).
- Poor burning control and/or overheating (high flue draught).
- Wind noise from air controls (high flue draught).
- Difficulty getting a fire going and keeping it burning well (low flue draught).
- Low heat output (low flue draught).
- Smoke entering room when doors are opened (low flue draught).

The construction, position, size and height of the chimney all affect the performance of the flue draught. Other factors effecting the flue draught include nearby trees or buildings causing turbulence. We suggest installing a chimney cowl or anti-downdraught cowl if you are experiencing issues with draught in your chimney. Please note issues with flue draught is out of the control of Henley Stoves and does not warrant a service call. We recommend you contact a chimney specialist if the addition of a cowl does not resolve a flue draught issue.

Why is there no heat from my stove?

- 1) If your stove is installed in an alcove, you need to cap off the area directly above the stove by installing a 3mm mild steel plinth with insulation to prevent the heat from escaping.
- 2) If the fire continues to consume large amounts of fuel you may need to check the baffle plate is fitted correctly and also if there is too much of a draw up the chimney.
- 3) A simple test would be to open the door of the stove when it is not lighting and listen to see if you can hear wind in the chimney. If so this means you will need to install a damper in the flue to prevent the up draught. We recommend you contact a piping specialist and install an anti-up draught cowl.

I'm finding it very hard to light a fire in my stove? Why is this?

- 1) In some houses there may not be sufficient ventilation in the room for the fire to light effectively. You may need an additional air vent in the room to use the stove efficiently.

There is smoke coming out of the stove when I light it, why is this?

- 1) To ensure maximum efficiency and to prevent the stove from smoking, the pipe at the back to the stove must be max 150mm before the 45 degree bend in the pipe, otherwise the smoke will not be able to escape up the chimney.
- 2) Stoves that are installed in flat roof houses or extensions may have this issue due to the structure of the building. It may also be because the chimney of your house is lower than the highest point of your roof which causes the wind to funnel down the chimney. We recommend you install a rotary cowl to resolve the issue. We recommend you get your stove installed by a professional.

Why is the glass on the door of my stove dirty?

- 1) Simply open the airwash and pull the lever to the open position and open the primary. The airwash is normally located above the door of the stove. The glass will become visibly clean. Please note the glass will become visibly dirty when the fire stops. You may wash the glass when the stove has cooled down. We recommend you always leave the airwash half open.

My grate has already burned out, why is this?

- 1) Burning large amounts of sole anthracite coal on a continuous basis the grate will burn out much quicker compared to using the recommended fuel. We recommend you a mixture of fuels such as turf, briquettes smokeless coal and wood.
- 2) Not cleaning the grate after every fire will result in the grate burning out prematurely.

How often should I clean my chimney?

- 1) The chimney and the connecting flue pipe must be swept at least once a year. Ensure you remove any deposits from the oscillating grates, the firebox surfaces and the flue collar. We recommend you clean your chimney twice a year.



Warranty Form

You need to register your warranty online or via the post in order to activate the warranty for your stove. The appliance needs to be installed by a HETAS approved fitter and in accordance of Building Regulations to be valid. In the event you require a service engineer to inspect the appliance, a standard charge of €120 is payable prior to any inspection. Henley Stoves is not responsible for stoves which have been fitted incorrectly and it is up to you the customer to get the stove re-fitted in accordance with our manual. In the event the engineer finds a defect in the stove which warranted the service call, Henley Stoves will reimburse you the €120. Please note issues such as replacing fire rope, replacing the door handle, paint peeling, bricks cracking, etc. does not warrant a service call and can be easily done using the instructions in the manual. Our products are guaranteed for 5 years from date of purchase against any defect, flaw or imperfection. During this time, all parts judged defective by our warranty control department may be replaced in our workshops. Incidental costs of transportation and packing payable by the buyer.

There are a number of limitations to the guarantee.

- Grates and parts directly in contact with the burning fuel are guaranteed for 1 year.
- Unfortunately we cannot offer a guarantee on the glass parts or fire bricks of our stoves.

Terms of the warranty

This warranty is only valid if:

- The unit has been installed in accordance with the latest building regulations.
- The chimney which services the stove is in accordance with the latest building regulations.
- All installation instructions in the manual have been followed.
- The stove is operated as described in the manual.
- The stove is only used to burn fuel as described in the manual.

This warranty does not cover:

- Any damage resulting from the use of fuel not recommended in the manual.
- Parts which are damaged by external causes such as unadopted chimneys, thunderstorms, dampness, faulty plumbing, faulty fuel and mistreatment.
- Specifications and design subject to change without prior notice. This manual does not engage the responsibility of Henley Stoves.
- Any nuts or bolts of handles that become loose due to use or mistreatment
- Body paint peeling due to stove being over-fired
- Breakage of glass
- If the appliance is not serviced on a yearly basis according to our manual

Please note for boiler stoves, please consult with a heating specialist to determine the correct BTU's for your heating requirements. If you are experiencing an issue with the plumbing such as no hot water being pushed to the radiators, Henley Stoves can only offer advice. We can recommend an independent service engineer to determine if there is an issue with the stove or the plumbing. The service engineer will provide a detailed report outlining any issues (if any) at a cost to you for €350 (this fee may vary depending on location) which is prior to any inspection. If the report deems the stove at fault, Henley Stoves will refund you the cost. We strongly recommend only qualified HETAS approved plumber installers as unqualified installers will void your warranty.

All warranty claims will only be addressed when the Warranty Form below is completed and accompanied by the original dated proof of purchase and Stove Commissioning Checklist. All claims to be submitted to: info@henleystoves.com

Personal Information

Name:

Address:

.....

Phone:

Dealer appliance was purchased from

Name:

Address:

.....

Phone:

Essential Information - MUST be completed

Date installed:

Model Description:

Serial No.:

Installation Engineer

Company name:

Address:

Serial No.:

HETAS Approved (Please tick relevant box): Yes No If Yes, please include certificate of compliance.

HENLEY STOVES

EVERY HOME DESERVES A HENLEY

Henley Stoves, Curraheen, Tralee, Co. Kerry, Ireland
Tel: 066 7119788 | Fax: 066 7124200 | Email: info@henleystoves.com | www.henleystoves.com

